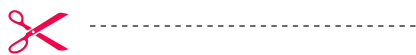
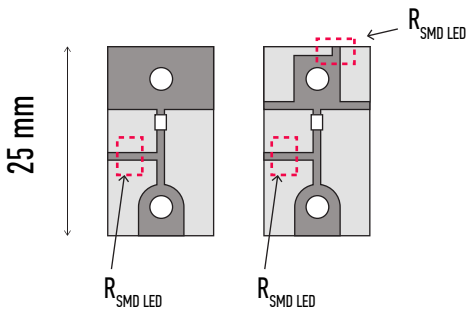
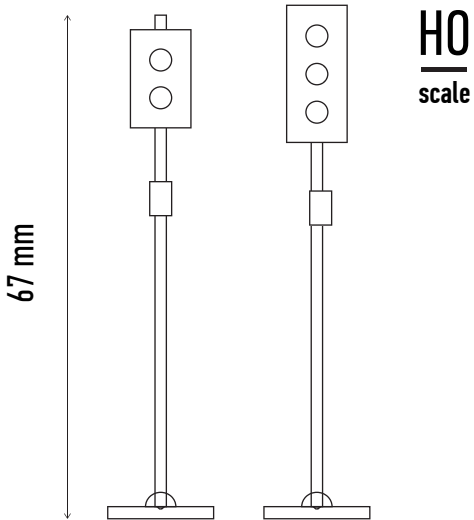
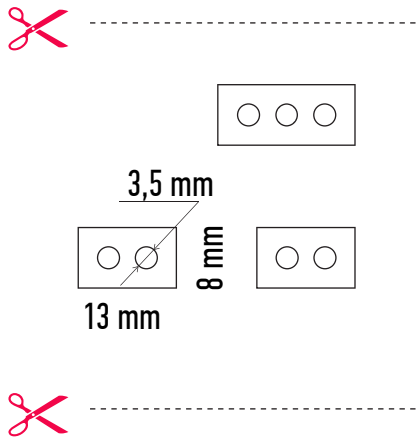
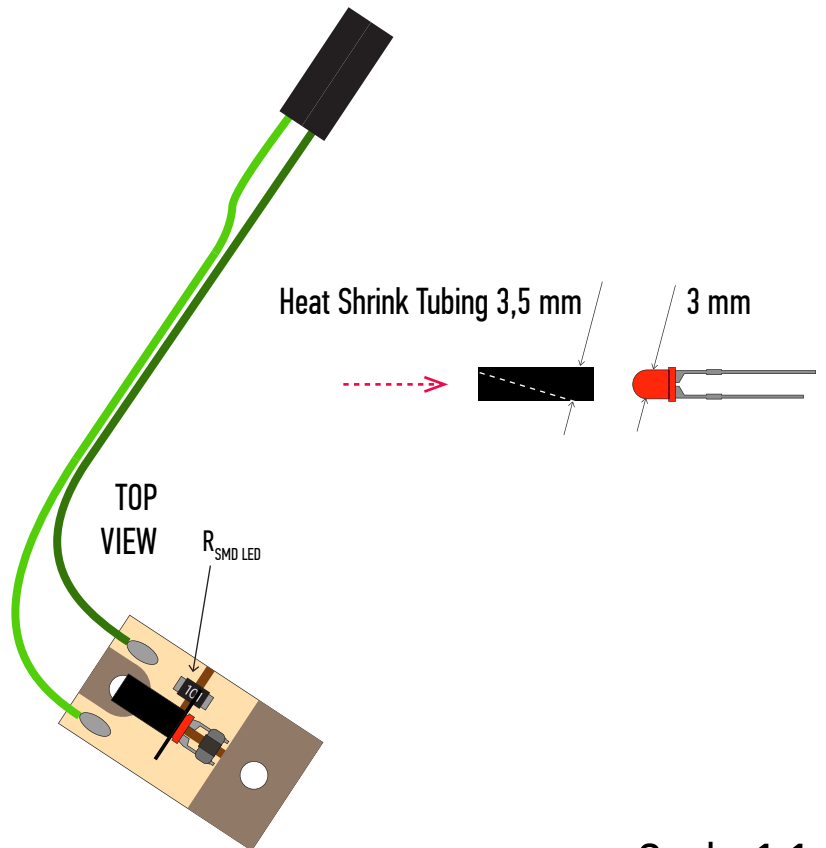
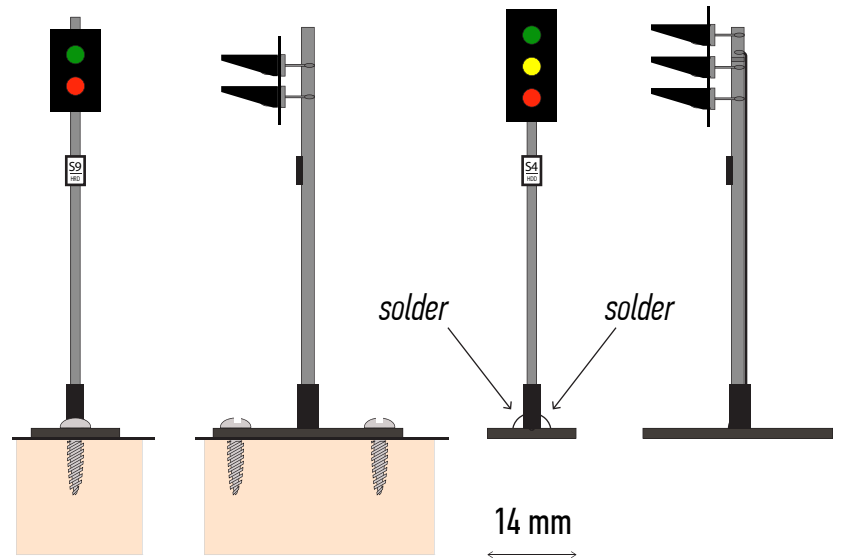


Template

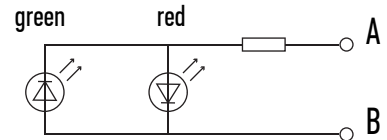
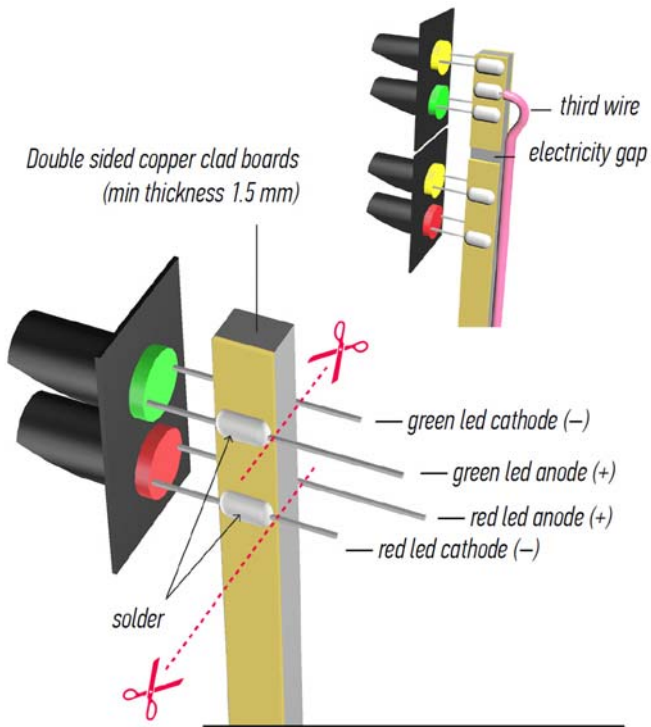


Construction



Scale 1:1

Principle

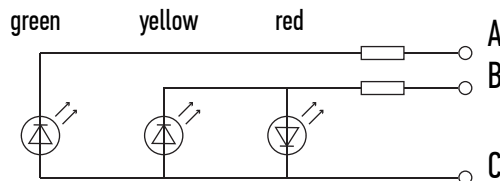
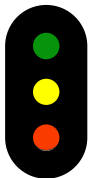


Truth table 2-colors signal

-	+	green
+	-	red
-	-	off all

A B

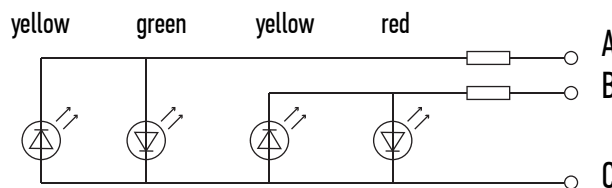
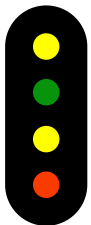
"+" — true, "-" — false



Truth table 3-colors signal

-	+	+	green
+	-	+	yellow
-	+	-	red
-	-	-	off all

A B C



Truth table 4-colors signal

-	+	+	yellow
+	-	-	green
+	-	+	yellow
-	+	-	red
-	-	-	off all

A B C